

AMENDMENT

Name of work:-Supply and installation of three different types of plastic seats throughout the stadium totaling to 34600 Nos (Approx) at ArunJaitley Stadium New Delhi

the following amendments are made in the RFP for above work:

1. All the bidders are requested to submit the following details along with the eligibility documents at the time of submission of their bid failing with the Bid shall be treated as non-responsive and the same shall be summarily rejected without assigning any reason and price bids of such bidder shall not be opened.

Sl. No.	Parameter/item	Compliance by the Bidder
1	Name of Raw material of the polymer	
2	Grade of Material	
3	Brand of Raw Material	
4	Master Batch- Company Mix/ Factory Mix	
5	Finished weight of Polymer	
6	Frame raw material- MS with powder coating/ SS-304 Grade/ /SS-202Grade	
7	Weight of frame with MS/SS	

2. **The test mentioned in para no Para 2.1.6 at P-17 of RFP are replaced by the following tests. There is no other change in this para of RFP.**

“UV test, powder coating test, impact test and Drop test”

3. The variation in sizes of seats up to +/- 5% in place of +/-5mm as mentioned in BOQ is allowed without compromising the seating capacity.
4. For private works the work experience certificate may be signed got from project manager or equivalent which should be supported by TDS.
5. At least one sample of each type of chair/seat shall be got approved by the contractor from DDCA prior to the start of seat fabrication.
6. The Bidders are requested to quote the rates of item no. 1 to 3 of sub-head-1 (Chair work) of the BOQ separately for Seats fixing with Powder coated M S frame and Seats fixing with SS 304 Grade frame with the condition that DDCA will be at liberty to award the work either with SS 304 Frame or Powder coated M S frame.

(Ajay Kumar Chourasia, CE (Civil),
DDCA)

DDCA

Notice Inviting Tenders/Press Notice

Delhi & District Cricket Association (DDCA) invites sealed request for proposal (RFP) from eligible Contractors for **“Supply and installation of three different types of plastic seats including dismantling of existing seat and misc. civil repair work related to base of the seats throughout the stadium totaling to 34600 Nos (Approx) at Arun Jaitley Stadium New Delhi”** EMD: **Rs.17,00,000/-**. The Bid forms and other details can be obtained from the website www.ddca.in

INDEX

Name of work: - **“Supply and installation of three different types of plastic seats including dismantling of existing seat and misc. civil repair work related to base of the seats throughout the stadium totaling to 34600 Nos (Approx) at Arun Jaitley Stadium New Delhi”**

Sl. No.	Title	Page Nos.
1	Notice Inviting Tenders/Press Notice	1
2	Index	2
3	Notice inviting Bids	3
4	RFP	4-13
5	Technical specifications	14-19
6	Annexure-B (Price Bid Performa)	20-26
7	APPENDIX-I (Site visit certificate)	27
8	Form-1 (BANKERS SOLVANCY CERTIFICATE)	28
9	Form-2(FINANCIAL INFORMATION)	29

Approved by

Tender & Purchase Committee, DDCA

NOTICE INVITING BIDS

Name of work: - “Supply and installation of three different types of plastic seats including dismantling of existing seat and misc. civil repair work related to base of the seats throughout the stadium totaling to 34600 Nos (Approx) at Arun Jaitley Stadium New Delhi”

Earnest Money: Rs. 17 lacs only by way of a demand draft/ Bank Guarantee from a nationalized or scheduled bank in favour of DDCA Arun Jaitley Stadium, New Delhi.

Time Allowed : Two Months

Certified that this Tender Document contains 29-pages as numbered in chronological order (Excluding File Cover)

(Signature)

Tender & Purchase Committee, DDCA

DELHI DISTRICT CRICKET ASSOCIATION ARUN JAITLEY STADIUM, NEW DELHI-110002

1. INVITATION FOR REQUEST FOR PROPOSAL(RFP)

Delhi & District Cricket Association (DDCA) invites sealed request for proposal (RFP) from reputed Eligible Contractors for **“Supply and installation of three different types of plastic seats including dismantling of existing seat and misc. civil repair work related to base of the seats throughout the stadium totaling to 34600 Nos (Approx) at Arun Jaitley Stadium New Delhi”** to provide world class back-end utility services to all stake holders and enhanced amenities to the spectators especially in view of upcoming Mens ODI World Cup 2023.

All bids must conform to the guidelines set out in the RFP.

The RFP is invited in single bid system from competent company / Firm / Agency, who satisfy the eligibility criteria enumerated in the tender document (RFP). Interested Agencies may download the tender documents from the DDCA website <https://ddca.in/ddca-document/tender>.

The request for proposal (RFP) is being called to invite bids for the above work. The Price Bid of only the approved bidders who satisfy the eligibility criteria shall be opened and the work will be awarded to L1 bidder.

The BID in sealed envelope marked to the captioned address containing RFP may be dropped in drop box specially kept for subject RFP mentioning Request for Proposal (RFP) for **“Supply and installation of three different types of plastic seats including dismantling of existing seat and misc. civil repair work related to base of the seats throughout the stadium totaling to 34600 Nos (Approx) at Arun Jaitley Stadium New Delhi”** on the top cover at following address:

**Delhi & District Cricket Association (DDCA)
Arun Jaitley Stadium
Feroz Shah Kotla Ground,
New Delhi-110002**

The bid must be submitted in following sealed envelopes:

- **1st sealed Envelope containing EMD duly mentioned as EMD on top of it.**
- **2nd sealed Envelope containing Eligibility Documents (as per requirements of clause 9 of RFP) duly super scribed as Eligibility Documents on top of it. Its terms and conditions, Appendix -1(Proof of site inspection prior to bid submission) and the compliance to technical specification duly filled by the**

bidder must also be enclosed by the bidder in this envelop along with his eligibility documents.

- 3rdsealed Envelope containing complete RFP including Priced BOQ in the prescribed format as per Annexure-B duly super scribed as Price Bid Documents on top of it.
- All the above three Envelopes must be kept in a big envelope and submitted in drop box as above

Note: The rates in price bid to be quoted without GST. The GST shall be reimbursed to the contractor on production of payment of the same by the contractor to the concerned authorities.

Sl. No.	Description	Date	Time
1.	-Publication of Tender Document on DDCA website -Publication of Advertisement in Newspapers	21.07.2023 22.07.2023	11:00 AM -
2.	Document Download Start Date	21.07.2023	11:00 AM
3.	Pre-Bid Meeting Date & Time	24.07.2023	11:00 AM
4.	Bid Submission Start Date	24.07.2023	11:00 AM
5.	Bid Submission End date	28.07.2023	03:00 PM
6.	Bid Opening Date for Eligibility documents	28.07.2023	04:00 PM
7.	Price bid opening date & time	To be intimated latter to the eligible bidders only	

DDCA reserves the right to accept or reject any / all RFP without assigning any reason whatsoever.

2. Background

- Arun Jaitley Stadium is an International Cricket Stadium.
- There is a requirement to **“Supply and installation of three different types of plastic seats including dismantling of existing seat and misc. civil repair work related to base of the seats throughout the stadium totaling to 34600 Nos (Approx) at Arun Jaitley Stadium New Delhi”** to provide world class back-end utility services to all stake holders and enhanced amenities to the spectators especially in view of upcoming Men’s ODI World Cup 2023.

3. Aims and objectives

- Board of Control for Cricket in India (BCCI) is going to host the 13th Men’s ODI World cup 2023 through October and November 2023. The event being of international importance as it is not only live telecasted, but the sportspersons/players from India and different countries of the world will participate in the event in thus stadium apart from additional pressure of spectators who wish to witness the matches in the stadium. The spectators also include VIPs/VVIPs for such an international event of world fame. DDCA

is likely to host some of the matches of the 13th Men's ODI World cup 2023 and endeavor to make the event a very success.

- b) The submission of RFP does not guarantee the allotment of the contract. DDCA reserves the right to cancel the RFP and/or contract without assigning any reason and no damages or claims shall be payable by DDCA on account of this cancellation.
- c) The main contractor shall engage a registered civil contractor (Class-I of CPWD/MES/Railway/state PWD) under appropriate category with the prior approval of DDCA for execution of SH..2 Civil Repair work. However, the overall responsibility shall be of the main contractor.

4. Description of Work

“Supply and installation of three different types of plastic seats including dismantling of existing seat and misc. civil repair work related to base of the seats throughout the stadium totaling to 34600 Nos (Approx) at Arun Jaitley Stadium New Delhi” to provide world class back-end utility services to all stake holders and enhanced amenities to the spectators especially in view of upcoming Men's ODI World Cup 2023.

5. Basic Scope of work and services

- a) The prospective bidder is required to “Install bucket seat and Tip up seats” as per detail given below: -

Bucket Seat on tier mounted with frame.

Wing A - Ground Floor, 1st Floor & 2nd Floor = 16370 nos.

Wing B - Ground Floor & 3rd Floor =9600 nos.

Wing C – Ground Floor (Right + Left, 3rd Floor Center & 4th Floor Center) =2730 nos.

Total = 28700 nos.

Bucket Seat on Beam Mounting:

Wing C – 1st Floor (Right & Left Side) = 840 nos.

Wing C – 2nd Floor (Right & Left Side) = 830 nos.

Wing C – 3rd Floor (Right & Left Side) = 880 nos.

Total = 2550 nos.

Tip-up Seat Floor mounted:

Bay Area – Ground Floor = 235 nos.

Corporate Boxes – (Wing – B) = 1105 nos.

OCH 1st Floor = 1675 nos.

OCH Corporate Boxes = 335 nos.

Total = 3350 nos.

A. The rate quoted by the bidder shall include all labour, materials, tools, equipment, transport, supervision, supply & installation of chair with required frame at site. GST to be quoted separately.

B. The Interested Party Is required to Quote rate Per Chairs with following Specific Details (Follow the Same Format for Submission of Details) -

i. Type of Auto Tip Mechanism & its Specifications

ii. Wall Thickness of Plastic for The Back

iii. Wall Thickness of Plastic for Seat

iv. Width of The Chair

v. Depth of The Chair

vi. Height of The Chair

vii. Seat Numbering Facility

viii. Row Numbering Facility on Aisle Side

ix. Fixing Specifications

x. Availability of Color Shades

xi. Delivery Period

xii. Time Required for Total Installation

b) The dismantling old Chairs with supporting S structure, water proofing treatment of RRC slab and buy-back of the old chairs with associated MS frame form mounting of chairs.

c) **Warranty period:** The seat will be having a warranty of minimum 5 years against manufacturing defect and colour fading. Water proofing treatment will be having a warranty of minimum 5 years against leakage/seepage of water. An amount of 10% of the value of water proofing work done shall be withheld as security for water proofing work from the bill of the contractor and same shall be released against Bank Guarantee from scheduled bank.

6. Evaluation criteria and method of evaluation (Selection process):

a) DDCA has invited bids for the work for evaluating the proposal comprising of Eligibility Documents and Price bid. In first stage, legibility documents as specified in clause 9 shall be opened and the eligible firms shall be qualified for second stage, i.e., for opening of price bids. Incomplete applications shall be treated as 'non-responsive' and summarily rejected. In the second stage, Price Bids only of those Bidders will be opened and evaluated who qualify first stage.

b) **THE PARTIES /BIDDERS SHALL ENSURE THAT THE EMD, Eligibility DOCUEMETS, PROOF OF SITE VISIT, AMC TERMS & CONDITIONS,**

COMPLIANCE TO TECH SPECIFICATIONS AND THE PRICE BID ARE FURNISHED IN THREE SEPARATE AND INDEPENDENTS SEALED ENVELOPES, EACH ENVELOP DULY SUPERSCRIBED ON TOP OF IT AS EMD, ELIGIBILITY DOCUMENTS, And PRICE BID RESPECTIVELY. ALL THE THESE ENVELOPES SHALL BE PUT IN A SINGLE BIG ENVELOPE. ANY VIOLATION SHALL RENDER THE BID LIABLE TO BE REJECTED.

7. CARE OF THE BUILDING

Care shall be taken by the contractor while handling and installing the various equipment and components of the work to avoid damage to the building. He shall be responsible for repairing all damages and restoring the same to their original finish at his cost. He shall also remove at his cost all unwanted and waste materials arising out of the installation from the site of work.

8. DISQUALIFICATION FROM THE SELECTION PROCESS

Bidders are liable to be disqualified, if they:

1. Make misleading or false representation, or deliberately suppress any information in the forms, statements and enclosures required to be submitted by them.
2. Have hidden the record of poor performance, such as being barred/blacklisted, abandoning projects, not completing the assigned projects properly, or of financial failure/ weaknesses.
3. Resort to any unethical means, like attempting to influence the evaluation committee officials.

9. Eligibility Criteria: As under:

Sl.	Criteria	Supporting Compliance Documents
1.	The applicant shall be a company/ firm/ partnership/proprietorship firm registered under Indian Companies Act /Partnership Act and have its registered office in India.	Company: Copy of Certificate of Incorporation. Partnership/ Proprietorship: Partnership Deed
2	If the bidder is not manufacturer of products quoted, the bidder should submit Authorization letter from the Original Equipment Manufacturer (OEM) addressed to customer for the offered make clearly mentioning that: a) The OEM shall provide the full technical support to the bidder at no extra cost to DDCA. b) The OEM shall complete the balance/left over work including AMC within the contract value and at the same	Authorization letter from the Original Equipment Manufacturer (OEM) on stamp paper of Rs100 duly countersigned by the bidder.

	terms & conditioned if the bidder fails to complete the entire work/project due to any reason.	
3	<p>The Applicant or OEM should have experience of having successfully completed similar works during the last 7 years ending last day of the month previous to the one in which tenders are invited:</p> <p>One work of value not less than Rs.6.8 Crores</p> <p style="text-align: center;">OR</p> <p>Two works each of value not less than Rs. 5.0 Crores</p> <p style="text-align: center;">OR</p> <p>Three works each of value not less than Rs.3.40 Crore</p>	<p>Similar works means Stadium Chairs.</p> <p>Completion Certificate issued by an office not below than rank of executive Engineer. Actual value of the similar executed work shall be increased at a simple rate of 7% per annum calculated from the date of completion up to the date for RFP to bring the same to the current costing level.</p>
4	The applicant should have an average annual financial turnover of Rs 2.50 Crores during the immediate last three consecutive financial years.	<p>Turnover certificate from CA with UDIN Number in form-2 attached.</p> <p>The value of annual turnover figures shall be brought to current value by enhancing the actual turnover figures at simple rate of 7% per annum.</p>
5	The firm /applicant should not be blacklisted by any central Govt/ state Govt/ PSU/ Govt Bodies	Self- declaration certificate needs to be enclosed
6	GST Registration Certificate	Copy of Certificate to be enclosed
7	The bidder should be registered with any state Govt/ CPWD/ Railways/MES in class-I category OR OEM OR Specialized Agency duly authorized by OEM.	Copy of registration certificate, OEM authorization and proof of existence of office or service center in Delhi/NCR to be enclosed.
8	Proof of Site Inspection Prior to Submission	The Bidder must get Appendix-1(Proof of site Inspection prior to bid submission) signed by the PMC DDCA/CE-Civil (Engineer), DDCA. the Appendix -1 needs to be submitted along with the eligibility documents of the bid.
9	The applicant should have Bank Solvency of Rs. 3.40 Crores	Letter from nationalized bank for solvency in prescribed form-1.
10	Applicant should not have, during the last five years, either failed to perform on any agreement, or have been expelled from any project or agreement or have any agreement terminated for breach by	The applicant should give a self-declaration/affidavit.

	the Applicant.	
11	The applicant should not be DDCA member/employee or the relative of DDCA member/employee	The applicant should give a self-declaration/affidavit.

10. **Completion Period:** 2 Months from the date of award of work.

11. **Payment Terms:**

40% on supply of material as per specifications at site.

50% on successful installation

10% on handing over of the site to DDCA

12. **Penalty Clause**

In case of non-completion of the entire work within the stipulated time and if the delay is not *attributable to site requirements, Liquidated Damages (LD) @ 1% per week (or fraction thereof)* of the total cost of work awarded subject to a maximum of 10% of the gross value of work done or cost of work awarded, whichever is greater, shall be recovered from the bill of the successful bidder.

13. **Performance Bank Guarantee**

The successful bidder shall submit a performance bank guarantee to the tune of 5% of the cost of work awarded within a week from the date of allotment of work.

In case of contracts involving maintenance of building and services/any other work after

construction of same building and services/other work, then 50% of Performance Guarantee shall be retained as Security Deposit. The same shall be returned year wise proportionately

14. **Security deposit (SD)**

The person/persons whose tender(s) may be accepted (hereinafter called the contractor) shall permit DDCA at the time of making any payment to him for work done under the contract to deduct a sum at the rate of 2.5% of the gross amount of each running and final bill till the sum deducted will amount to security deposit of 2.5% of the tendered value of the work. Such deductions will be made and held by DDCA by way of Security Deposit.

During the warranty/Guarantee period if any defects and/or poor workmanship and/or fault in the installation is noticed then the same shall be rectified/repared/replaced up to the satisfaction of DDCA by the contractor at his own cost and within a reasonable time as mentioned in DDCA notice failing which the rectifications/repairs/ replacements as the case may be shall be done by DDCA at the cost of the contractor form his SD amount, excess expenditure over and above the SD amount if any, shall be recovered by DDCA from the

contractor and the balance amount of SD if left any shall be released without interest after the warranty/Guarantee period is over.

The security deposit as deducted above can be released against FDR issued by a scheduled bank,

15. TERMINATION OF CONTRACT

Subject to other provisions contained in this clause, the DDCA may, without prejudice to any other right or remedy against the Bidder in respect of any delay, inferior work, any claims for damages and/or any other provisions of this contract or otherwise, and whether the date of completion has or has not elapsed, by notice in writing absolutely determine the contract in any of the following cases:

- a. If the Bidder having been given by the DDCA a notice in writing that he failed to deliver the products expected of them during or at the end of the work and fails to comply with the requirement of such notice for a period of seven days thereafter.
- b. If the Bidder has, without reasonable cause, suspended the work or has failed to proceed with the work with due diligence so that in the opinion of the DDCA (which shall be final and binding) he will be unable to perform the work satisfactorily and continues to do so after a notice in writing of seven days from the Engineer-in-Charge.
- c. If the Bidder fails to complete the work within the stipulated date or items of work with individual date of completion, if any stipulated, on or before such date(s) of completion and does not complete them within the period specified in a notice given in writing in that behalf by DDCA.
- d. If the Bidder persistently neglects to carry out his obligations under the contract and/ or commits default in complying with any of the terms and conditions of the contract and does not remedy it or take effective steps to remedy it within 7 days after a notice in writing is given to him in that behalf by DDCA.
- e. If the Bidder shall offer or give or agree to give to any person in DDCA or to any other person on his behalf any gift or consideration of any kind as an inducement or reward for doing or forbearing to do or for having done or forborne to do any act in relation to the obtaining or execution of this or any other contract DDCA.
- f. If the Bidder shall enter into a contract with DDCA in connection with which commission has been paid or agreed to be paid by him or to his knowledge, unless the particulars of any such commission and the terms of payment thereof have been previously disclosed in writing to the Engineer-in-Charge.
- g. If the Bidder shall obtain a contract with DDCA as a result of wrong Bidding or other non-bona fide methods of competitive Bidding or commits breach of agreement.
- h. If the Bidder being an individual, or if a firm, any partner thereof shall at any time be

adjudged insolvent or have a receiving order or order for administration of his estate made against him or shall take any proceedings for liquidation or composition (other than a voluntary liquidation for the purpose of amalgamation or reconstruction) under any Insolvency Law. for the time being in force or make any conveyance or assignment of his effects or composition or arrangement for the benefit of his creditors or purport so to do, or if any application be made under any Insolvency Law for the time being in force for the sequestration of his estate or if a trust deed be executed by him for benefit of his creditors.

- i. If the Bidder being a company shall pass a resolution or the court shall make an order that the company shall be wound up or if a receiver or a manager on behalf of a creditor shall be appointed or if circumstances shall arise which entitle the court or the creditor to appoint a receiver or a manager or which entitle the court to make a winding up order.
- j. If the Bidder shall suffer an execution being levied on his goods and allow it to be continued for a period of 21 days.
- k. If the Bidder assigns, transfers, sublets (engagement of labour on a piece-work basis or of labour with materials not to be incorporated in the work, shall not be deemed to be subletting) or otherwise parts with or attempts to assign, transfer, sublet or otherwise parts with the entire works or any portion thereof without the prior written approval of the DDCA.

When the Bidder has made himself liable for action under any of the cases aforesaid, the DDCA shall have powers:

- a) To determine the contract as aforesaid (of which termination notice in writing to the Bidder under the hand of DDCA shall be conclusive evidence). Upon such determination, the Earnest Money Deposit, Security Deposit if any already recovered and Performance Guarantee under the contract shall be liable to be forfeited and shall be absolutely at the disposal of DDCA.
- b) After giving notice to the Bidder to measure up the work of the Bidder and to take such whole, or the balance or part thereof, as shall be un-executed out of his hands and to give it to another Bidder to complete the work. The Bidder, whose contract is determined as above, shall not be allowed to participate in the Bidding process for the balance work.
- c) To impose suitable penalty as it may determine in addition to claim damages/ losses.

In the event of above courses being adopted by DDCA, the Bidder shall have no claim to compensation for any loss sustained by him by reasons of his having purchased or procured any materials or entered into any engagements or made any advances on account or with a view to the execution of the work or the performance of the contract. And in case action is taken under any of the

provision aforesaid, the Bidder shall not be entitled to recover or be paid any sum for any work thereof or actually performed under this contract unless and until the DDCA has certified in writing the performance of such work and the value payable in respect thereof and he shall only be entitled to be paid the value so certified.

In case, the work cannot be started due to reasons not within the control of the bidder within 1/8th of the stipulated time for completion of work or one month whichever is higher, either party may close the contract. In case bidder wants to close the contract, he shall give notice to the DDCA stating the failure on the part of DDCA. In such eventuality, the Performance Guarantee of the bidder shall be refunded.

16. FORECLOSURE OF CONTRACT

If DDCA due to the abandonment or reduction of scope of works due to any reason whatsoever do not require the whole or any part of the works to be carried out, DDCA by giving a notice may foreclose the agreement. In such circumstances the contractor shall be paid for the submission and work stages for which approvals are already granted, the earnest money deposit and the Performance guarantee of the contractor shall be refunded, but no payment on account of interest, loss of profit or damages etc. shall be payable at all and the DDCA shall be at liberty to make full use of all or any of the drawings, designs or other documents prepared by the contractor.

17. SETTLEMENT OF DISPUTES

Except where otherwise provided in the contract, all disputes arising during the progress of the work or after the cancellation, termination, completion or abandonment thereof shall be dealt with as mentioned hereinafter:

If the contractor considers any work demanded of him to be outside the requirements of the contract, or disputes any drawings, record or decision given in writing by DDCA or if DDCA considers any act or decision of the contractor on any matter in connection with or arising out of the contract or carrying out of the work, to be unacceptable and is disputed, such party shall promptly within 15 days of arising of the disputes request the DDCA to constitute a Dispute Redressal Committee (DRC) within 15 days along with a list of disputes with amounts claimed if any in respect of each such dispute. The Dispute Redressal Committee (DRC) shall give the opposing party two weeks for a written response and give its decision within a reasonable period from the receipt of appeal of either party. The decision of Dispute Redressal Committee (DRC) shall be final and binding on the either party. The party shall however continue to complete the remainder work without awaiting the decision of the DRC.

Technical & General Specifications

SPECIFICATIONS-STADIUM CHAIRS

TYPE 1-BUCKET SEAT ON TIER MOUNTED WITH
FRAME QUANTITY-28700 (Approx)

GENERAL SPECIFICATION OF THE PLASTIC SHELL

Should be an extremely versatile, high-performance, injected polypropylene copolymer shell (bucket type). Designed for both outdoor and indoor use in stadiums, sports centers and sports facilities in general.

TECHNICAL FEATURE OF THE SHELL

POLYPROPYLENE:

- Material: IF-728 Copolymer Polypropylene (outdoor with U.V. Stabilizers)
- PAINT: For outdoor use: Electrostatic powder polyester with electrolytic zincing finishing)
- Coating thickness: Outdoor: 90-100 micron (average)
- Grid adherence: UNE-EN ISO 2409: 100%.

DIMENSION:

The shell should feature a design that gives top priority to user comfort with a 340 mm high backrest and a depth of 465 mm and not more. The backrest should have a convex curve to provide appropriate support for the back. The outer appearance should be rectangular shape with angles ending in a 20 mm radius. The areas of the shell subjected to the greatest stress should be minimum 5 mm thicker.

The seat should have non-slip herringbone ridging at a 60° angle to the axis of symmetry to help ensure the occupant sit in the correct position. The pattern and angle of the ridges should direct water and dirt towards the centrally located drainage area consisting of four parallel 25 x 6 mm openings.

There should be a recessed housing on the top of the backrest into which a number plate can be fitted so that it cannot be pulled out.

WEIGHT:

- Only the plastic shell-1.8 kg.

GENERAL SPECIFICATION OF THE METAL STRUCTURE BELOW

Two MS pipes of half inch dia. run in parallel welded to two square pipes of size 25mmx20mmx1.6mm thickness this forming a rectangular shape, with two connecting pipes below lending stability to the structure. This whole section is welded on either side with a plate of size 7 inches x 2 inches with two holes at equi-distant that is used to grout this structure to the ground using heavy duty bolt.

FINISH

All metal parts to be hot dipped galvanized with coating thickness of 60-70micron

ITEM-2

TYPE 1-BUCKET SEAT ON BEAM

MOUNTINGQUANTITY- 2550 nos

GENERAL SPECIFICATION OF THE PLASTIC SHELL

Should be an extremely versatile, high-performance, injected polypropylene copolymer shell (bucket type). Designed for both outdoor and indoor use in stadiums, sports centers and sportsfacilities in general.

TECHNICAL FEATURE OF THE SHELL

POLYPROPYLENE:

- **Material:** IF-728 Copolymer Polypropylene (outdoor with U.V. Stabilizers)PAINT:
- For outdoor use: Electrostatic powder polyester (with electrolytic zincing finishing)
- Coating thickness:
Outdoor: 90-100 micron. (average)
- Grid adherence: UNE-EN ISO 2409: 100%

DIMENSION:

The shell should feature a design that gives top priority to user comfort with a 340 mm high backrest and a depth of 465 mm and not more. The backrest should have a convex curve to provide appropriate support for the back. The outer appearance should be rectangular shape with angles ending in a 20 mm radius. The areas of the shell subjected to the greatest stress should be minimum 5 mm thicker.

The seat should have non-slip herringbone ridging at a 60° angle to the axis of symmetry to help ensure the occupant sit in the correct position. The pattern and angle of the ridges should direct water and dirt towards the centrally located drainage area consisting of four parallel 25 x 6 mm openings.

There should be a recessed housing on the top of the backrest into which a number plate can be fitted so that it cannot be pulled out.

WEIGHT:

- Only the plastic shell-1.8 kg.

GENERAL SPECIFICATION OF THE METAL STRUCTURE

The seat is fixed to a 60x40mm rectangular steel profile by means of a fixing flange made of 4mm thick steel sheet, which is attached to a lower sheet metal base installed on the underside of the seat. The support to the floor is a 60x40mm profile with a steel foot welded on its lower part, 8mm thick. The fixation to the floor is by means of 2 anchor points.

FINISH

All metal parts to be hot dipped galvanized with coating thickness of 60-70micron.

ITEM-3

TYPE 1-TIP UP SEAT FLOOR

MOUNTED QUANTITY-3350 nos.

The seat design with many like comfortable seat feeling, ergonomic engineering, independent stanchion w/o interfere each seat, easy installation and maintenance. The unique design looks like two fan shell with nice curve. It is a very good seat option for both arena and stadium.

1. GENERAL SPECIFICATION OF THE PLASTIC SHELL

QB/T 2601-2013 《Public seating for Sports stadium and Arena》

BS EN 13200-4:2006 《Spectator facilities —Part 4: Seats — Product characteristics
 》 EN 12727:2000 《Furniture—Ranked seating—Test methods and requirements for strength and durability》

ISO 4892-2 《Plastics—Methods of exposure to laboratory light sources Part2: Xenon-arc sources》

ISO 105-A2: 1993 《Textiles—Tests for color fastness—Grey scale for assessing change in color

》 DIN 4102-1 《Fire behavior of building materials and elements Part 1: Classification of building materials Requirements and testing》 B1

GB 28481 《poison limitation in plastic furniture》

2. TECHNICAL FEATURE OF THE PLASTIC SEAT BASE AND BACK

2.1.1. Seat and back are designed in accordance with ergonomic engineering to maximum fit body curve to ensure seat feeling. Adopt brand new HDP, blow molded with nuts pre-satin. The seat will have very good strength after the plastic cool down as the nuts will deeply in the seat base.

Blow molding equipment with multi point control thickness control can make the seats with 4mm thickness. Symens pressure control system will control the process electric pressure, air pressure, temperature strictly to guarantee clean surfacing, no wrinkle, no obvious color difference.

2.1.2. Mechanism: Meet EN 12727:2000 《Furniture—Ranked seating—Test methods and requirements for strength and durability》 Severe degree

2.1.3 Adopt Polyone imported color master with mixture like anti-fire, anti-aging, anti-uv etc. inside,

after heating the color master will be uniform distribute into the seat. So, the whole seat is environmental, color-stable, good climate proof and anti-fire ability

2.1.4. Climate proof: According to ISO 4892-2 《Plastics—Methods of exposure to laboratory light sources Part2: Xenon-arc sources》, put seats into the exposed environment continuously 3600 hours see no obvious color change. Or according to ISO 105-A2: 1993 《Textiles—Tests for color fastness—Grey

scale for assessing change in color》 comparing and the color degree will be ≥ 3 degree, 即

$$\Delta E \leq 3.4 \pm 0.4。$$

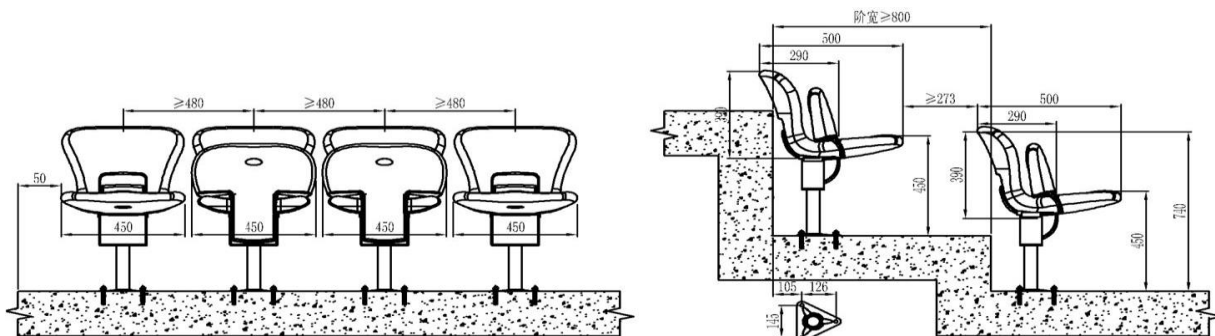
2.1.5 Anti-fire protection could meet DIN 4102-1 《Fire behavior of building materials and elements Part 1: Classification of building materials Requirements and testing》 B1 degree.

2.1.6. Highest and lowest temperature: 80°C continue 72 hours, -60°C continue 24h; No cracking and obvious deformation and color change.

2.1.7 Environmental The limitation of dissolubility lead, chrome and cadmium can meet GB28481

《limitation of poison in plastic furniture》

3. DIMENSION:



4. GENERAL SPECIFICATION OF THE METAL STRUCTURE BELOW

Floor mounted stand: the main material used in line with GB / T 13793 "straight seam welded steel pipe" required designation Q235, $\Phi 48$ steel pipe cut by CNC circular saw. Accessory materials used in line with GB / T 709 "hot rolled steel sheet and strip size, shape, weight and tolerance" required 3 ~ 4mm thick hot rolled steel sheet through CNC cutting of materials, molding stamping. After tooling, fixtures after positioning, use welding robot to ensure welding quality and no loose weld welding wear, pores, slag, spatter and other welding defects. After finish welding of stand, sand blasting will be done according to GB / T 18839 "steel substrates before application of paints and surface treatment method".

Mechanics: passed standard EN 12727: 2000 "Furniture-Ranked Seating-Test methods and requirements for strength and durability" Tested to Level 4 (Severe).

Salt bath resistant: According to standard QB / T 1950 "furniture surface coating salt bath resistant test" will draw

two diagonal specimen cut marks, the lower half of the sample was immersed 3% sodium chloride solution soak in a temperature of 15 °C ~ 25 °C 100h and take out. The sample cut marks on both sides of 3mm outer coating or plating shall have no swelling, no bubble, no peeling, no rust, no discoloration and loss of light phenomena.

Resistance to heat and wet: Put parts into the standard QB / T 1740 "Determination of resistance to wet and heat" required testing condition and continue test 24h, damage grade ≤ 1 level, namely coating or plating without color

change, no rust, no bubble, no spalling.

Impact resistance: After tested according to standard QB / T 1732 "film impact resistance test method", the coating or plating no peeling, no cracks, no wrinkle phenomenon happened.

Adhesion: Tested through standard QB / T 1720 "film adhesion assay" and the coating or plating adhesion grade

≥ 3 .

Salt spray resistance: Tested according to the standard QB / T 3826 "Test methods for corrosion light industrial products metal plating and chemical treatment layer of neutral salt spray test (NSS) method" continue 18 hours, The rust point no more than 20 points / dm^3 ($< 1.5\text{mm}$ / or less rust no more than 20 points / dm^3 , wherein the diameter of 1.0mm or more will not exceed 5 / dm^2 (excluding from the edge of the inner corners 2mm).

The folding system of the seat

The seat adapts hidden gravity folding, the folding mechanism is hidden and without spring. According to the standard GB / T 10357.3 “stool test mechanical properties of furniture - Strength and durability”, with the folding frequency of 10-15 times / min, 100,000 times, the seat can be folded freely.

Seat number

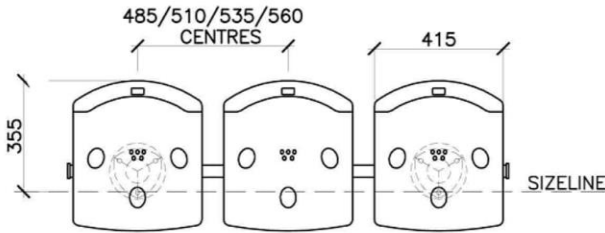
Seat number with two rivet plate fixed to the seat back of the central depression, the seat no. material is 0.5mm thick aluminum sheet stamped and anodized with silk painting the digit on it. The fluorescence and Epoxy digit are both available. Aluminum material meet GB / T 3880 “general industrial aluminum and aluminum alloy sheet, strip, “requirements and anodized surfacing meet standard GB / T 8013 “aluminum and aluminum anodized film with an organic polymer film”.

Anchor

There are 4 mounting hole and generally only install 2 bolt to connecting stanchion and concrete riser. The anchor adapt M10*80 casing strengthened expansion bolt (TGQ model) to connecting concrete bleacher which meet standard GB / T 22795 “concrete expansion anchors type and size”. Each single bolt in a stationary state can withstand a pulling force of 6860N; shear force is 5100N; The main force for riser mounted stanchion bolt is shear force, shear force for the two anchors 10200N, seat static load is only up to 2000N, therefore install two anchor bolt good enough to support the whole seat.

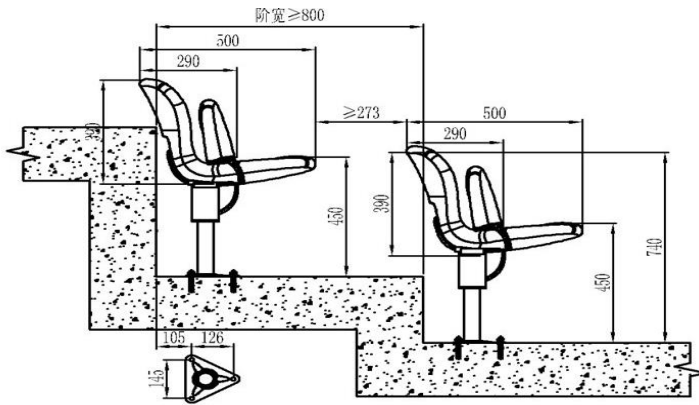
Floor mounted stand anchor using three M10*80 casing strengthened expansion bolt (TGQ model) which meet the standard GB / T 22795 “concrete expansion anchors type and size” to fixed concrete bleachers.

ANNEXURE-B (BOQ)
PRICE BID

S. No.	Description of Work	Qty.	Unit	Rate in Rupees	Amount in Rupees
	SH..1 STADIUM CHAIR WORK				
1	<p>Dismantling of old unserviceable chairs along with MS frame structure and providing and fixing new Bucket Seat on tier Mounted with frame as per general specification and technical specification described in bid document The material is fully colour compound, which ensures that all the additives are fully dispersed, and uniform. The seat is ribbed for anti-slide and the shape is designed for comfort and strength and is directly mounted with frame. Backrest height: 340 mm. The total depth of the seat is 465mm and the width of the seat to be 415 mm. The seat should have holes to drain out the water. Installation should be using Chemical fasteners of Hilti or equivalent brand. Permissible variation in depth, width and height is +/- 5mm.</p> <p>Colour of the seat will be decided by the DDCA.</p>  <p align="center"><u>TOP VIEW</u></p>	28700 Nos	each		

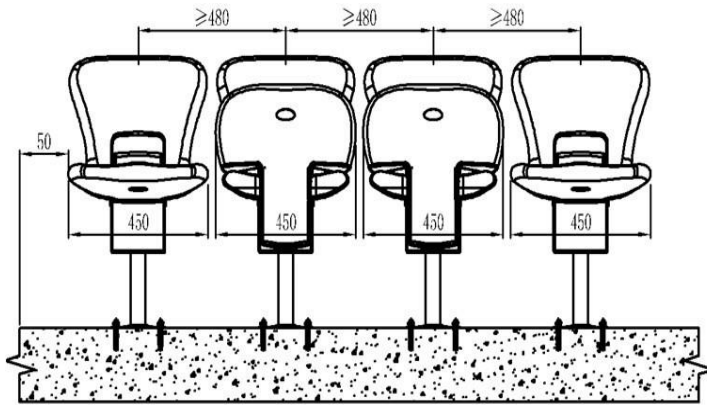
2	<p>Dismantling of old unserviceable chairs along with MS frame structure and providing and fixing new Bucket Seat on beam mounting with metal structure as per general specification and technical specification described in bid document. The material is fully colour compound, which ensures that all the additives are fully dispersed, and uniform. The seat is ribbed for anti-slide and the shape is designed for comfort and strength and is directly mounted with frame. Seat should have Centre to centre: 450mm (Minimum) and the Backrest height: 340 mm. The total depth of the seat is 465mm and the width of the seat to be 415mm. The seat should have holes to drain out the water. Installation should be using Chemical fasteners of Hilti or equivalent brand. Permissible variation in depth, width and height is +/- 5mm.</p> <p>Colour of the seat will be decided by the DDCA.</p>	2550 Nos	each		
---	---	-------------	------	--	--

3 Dismantling of old unserviceable chairs along with MS frame structure and providing and fixing new tip-up Seat on floor mounted with metal structure as per general specification and technical specification described in bid document. The material is fully colour compound, which ensures that all the additives are fully dispersed, and uniform. The seat is ribbed for anti-slide and the shape is designed for comfort and strength and is directly mounted with frame. the Backrest height: 390 mm. The open depth of the seat is 500mm, Seat Closed depth 290mm and the width of the seat to be 450mm. The seat should have holes to drain out the water. Installation should be using Chemical fasteners of Hilti or equivalent brand. Colour of the seat will be decided by the DDCA. Permissible variation in depth, width and height is +/- 5mm in Size of the seat mentioned in the image of the seat below: -



3350
Nos

each



4	Credit for buy back of old unserviceable plastic chairs/Seat (34600 nos.)	52000 Kg.	Kg.		(-)
5	Credit for buy back of unserviceable dismantle MS frame structure of chairs.	70000 Kg.	Kg.		(-)
SH..2 CIVIL REPAIR WORK					
1	<p>Cleaning of Surface of Floor and Beam and after Cleaning, repairing of Damage surface. After repairing the surface, providing and laying water proofing treatment to vertical and horizontal surfaces of beams, steps and floor. And the like consisting of:</p> <p>(i) 1st course of applying cement slurry @ 4.4 kg/sqm mixed with water proofing compound conforming to IS 2645 in recommended proportions including rounding off junction of vertical and horizontal surface.</p> <p>(ii) 2nd course of 20 mm cement plaster 1:3 (1 cement: 3 coarse sand) mixed with water proofing compound in recommended proportion finishing of top with neat cement punning including rounding off junction of vertical and horizontal surface.</p>	22000 Sqm.	Sqm.		
2	<p>Repairs to plaster of thickness 12 mm to 20 mm in patches of area 2.5 sq.meters and under, including cutting the patch in proper shape, raking out joints and preparing and plastering the surface of the walls complete, including disposal of rubbish to the dumping ground, all complete as per direction of Engineer-in-Charge.</p> <p>With cement mortar 1:4 (1cement: 4 coarse sand)</p>	5000	sqm		

3	Disposal of building rubbish / malba / similar unserviceable, dismantled or waste materials by mechanical means, including loading, transporting, unloading to approved municipal dumping ground or as approved by Engineer-in-charge, beyond 50 m initial lead, for all leads including all lifts involved.	250	cum		
4	Providing and injecting approved grout in proportion recommended by the manufacturer into cracks/honey-comb area of concrete/ masonry by suitable gun/pump at required pressure including cutting of nipples after curing etc. complete as per directions of Engineer-inCharge. (The payment shall be made on the basis of actual weight of approved grout injected. Epoxy injection grout in concrete/RCC work of approved make	2500	Kg		
5	Providing and inserting 12mm dia galvanised steel injection nipple in honey comb area and along crack line including drilling of holes of required diameter (20mm to 30mm) up to depth from 30mm to 80mm at required spacing and making the hole & crack dust free by blowing compressed air, sealing the distance between injection nipple with adhesive chemical of approved make and allow it to cure complete as per direction of Engineer-In-Charge.	1500	each		
6	Chipping of unsound/weak concrete material from slabs, beams, columns etc. with manual Chisel and/ or by standard power driven percussion type or of approved make including tapering of all edges, making square shoulders of cavities including cleaning the exposed concrete surface and reinforcement with wire brushes etc. and disposal of debris for all lead and lifts all complete as per direction of Engineer-In-Charge 75mm average thickness	425	Sqm		

7	<p>Providing, mixing and applying SBR polymer (of approved make) modified Cement mortar in proportion of 1:4 (1 cement: 4 graded coarse sand with polymer minimum 2% by wt. of cement used) as per specifications and directions of Engineer-in-charge.</p> <p>Note: Measurement and payment: The pre-measurement of thickness shall be done just after the surface preparation is completed and Payment under this item shall be made only after proper wet curing has been done and surface has been satisfactorily evaluated by sounding / tapping with a blunt metal instrument and/or the 75mm size cube crushing strength at the end of 28 days to be not less than 30 N/Sqmm2)</p> <p>50 mm average thickness in 3 layers</p>	425	Sqm		
8	<p>Cleaning of exposed concrete surface of sticking material including loose and foreign material by sand blasting with coarse sand followed by and including cleaning with oil free air blast as per direction of Engineer in charge.</p>	1375	Sqm		
9	<p>Providing and laying 3 coats of dampproof paint as manufacturer specification and colour approved by clients/Architect</p> <p>Repair the hallow surface area before applying Damp Proof coat. For miscellaneous surface like tiling, smooth and glossy cementitious surface. For horizontal surfaces, Joints Tapes at all joints & corners for better reinforcement. For oily, existing failure coating surface, carry patch tests to check adhesion of product to substrate. Do not apply during rains or extreme temperatures. Not recommended for rain water harvesting purpose. Avoid abuses which may lead to puncturing of membrane. Ensure that the product is applied at least 6 inches inside the drain pipe. For best results, apply coating on parapet walls as well.</p>	4500	Sqm		
Total					

(Total in words Rs-----------)

Note: 1.The amount quoted is without GST. The GST shall be reimbursed to the contractor on production of payment of the same by the contractor to the concerned authorities.

Note: 2. Amount quoted for Item no 4 and 5 under SH..1 mentioned above in the BOQ will be treated as minus amount.

APPENDIX -1

Site visit certificate

(Prior to date of bid submission)

Name of Work: **Supply and installation of three different types of plastic seats throughout the stadium totaling to 34600 Nos (Approx) at Arun Jaitley Stadium New Delhi**

This is to certify that representatives of M/S visited Arun Jaitley Stadium, New Delhi on..... for ascertaining and analyzing the site conditions of the Stadium for participation in the RFP of the above work.

PMC (Civil)/CE (Civil), DDCA

Date of issue:

Form-1

BANKERS SOLVANCY CERTIFICATE

This is certify that to the best of our knowledge and information that M/s.....having marginally noted address, a customer of our bank are/is respectable and can be treated as good for any engagement up to a limit of Rs..... (Rupees.....)

This certificate is issued without any guarantee or responsibility on the bank or any of the officers

Date:

(Authorized signatory of the Bank)

Note:

1. Bankers' certificates should be on letter head of the Bank, sealed in cover addressed to Bidding inviting authority.
2. In case of partnership firm, certificate should include names of all partners as recorded with the Bank.

Form-2

FINANCIAL INFORMATION

Details to be furnished duly supported by figures in audited balance sheet, profit and loss account statement and acknowledged IT returns for the last three year duly certified by the Chartered Accountant.

Name of the Applicant: _____

Particulars	Financial Year		
	2019-20	2020-21	2021-22
Gross Annual Financial Turnover from consultancy work (In Lakhs)			

Certified that the above financial information pertaining to the said applicant is correct and conforms with audited balance sheets,

Signature of Chartered Accountant with seal

Signature of Applicant

Note: Average Annual Turnover of last three audited financial years shall be considered. In case audited balance sheet for the latest financial is not available / audited yet, this shall be specifically mentioned. In case balance sheet for any year of these three preceding audited financial year is not provided, the gross turnover for that particular financial year will be treated as zero during evaluation.